

Classic Red Gable Barn

ASSEMBLY INSTRUCTIONS

Please make sure to count all hardware & components before you begin assen



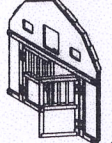
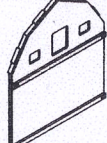
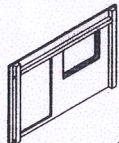
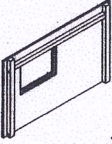


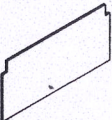
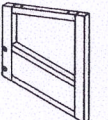
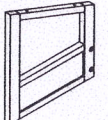

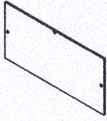
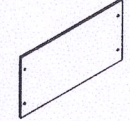


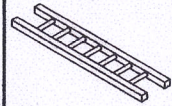
Nicht für Kinder
unter 3 Jahren ge-
eignet, verschluckbare
Kleinteile!

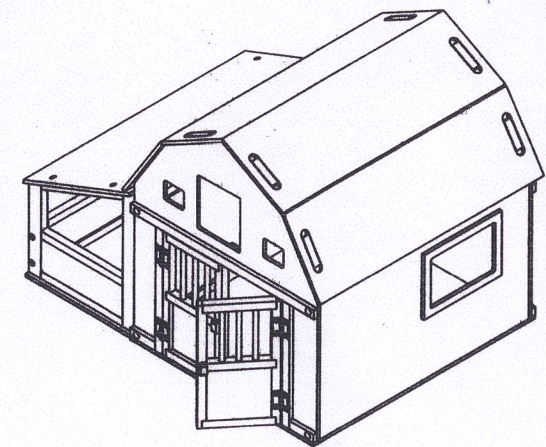
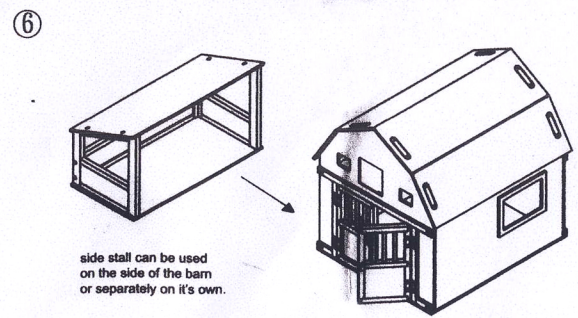
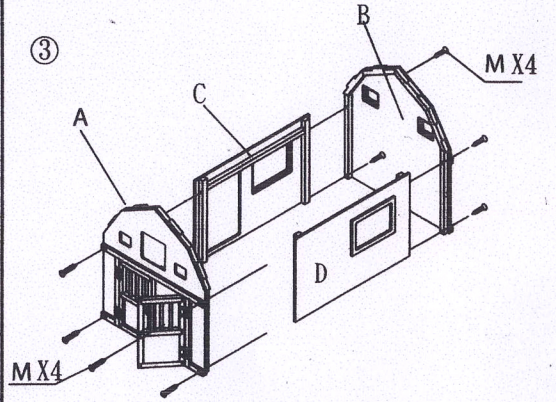
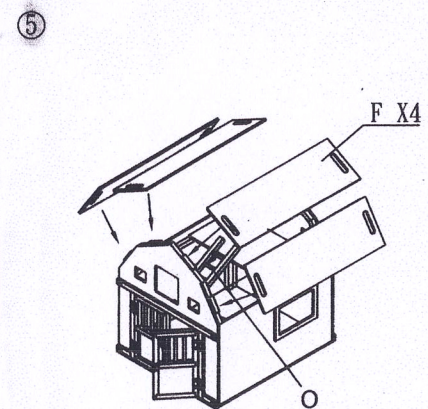
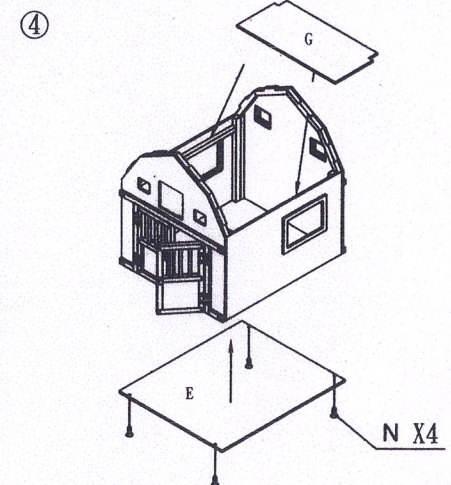
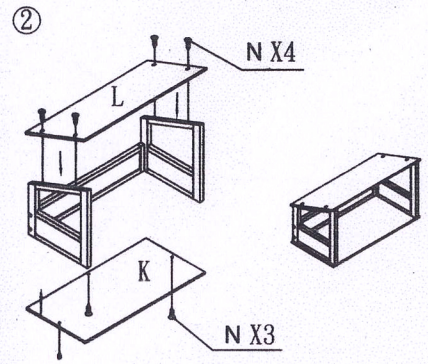
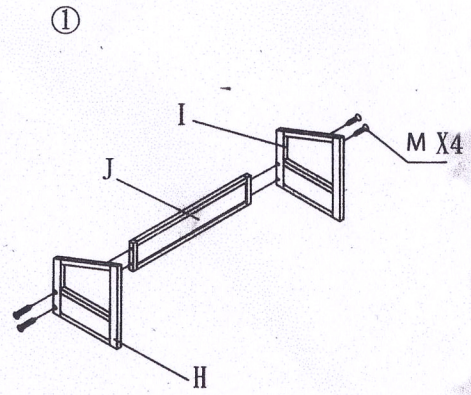
Small foot company (15.04.13)

ArtNr: 8555

Scheune Alabama

CONTENTS: Item# 81071

 A x1	 B x1	 C x1
 D x1	 E x1	 F x4
 G x1	 H x1	 I x1
 J x1	 K x1	 L x1
 M x12	 N x11	 O x1



©2013 Maxim Enterprise, Inc. Made in China.
For customer service information please contact
us toll free at: 1-888-26-MAXIM(266-2946)
or visit our website at: www.maximenterprise.com

WARNING:
CHOKING HAZARD - Small parts.
Not for children under 3 years.

side stall can be used
on the side of the barn
or separately on it's own.

by maxim
enterprise inc